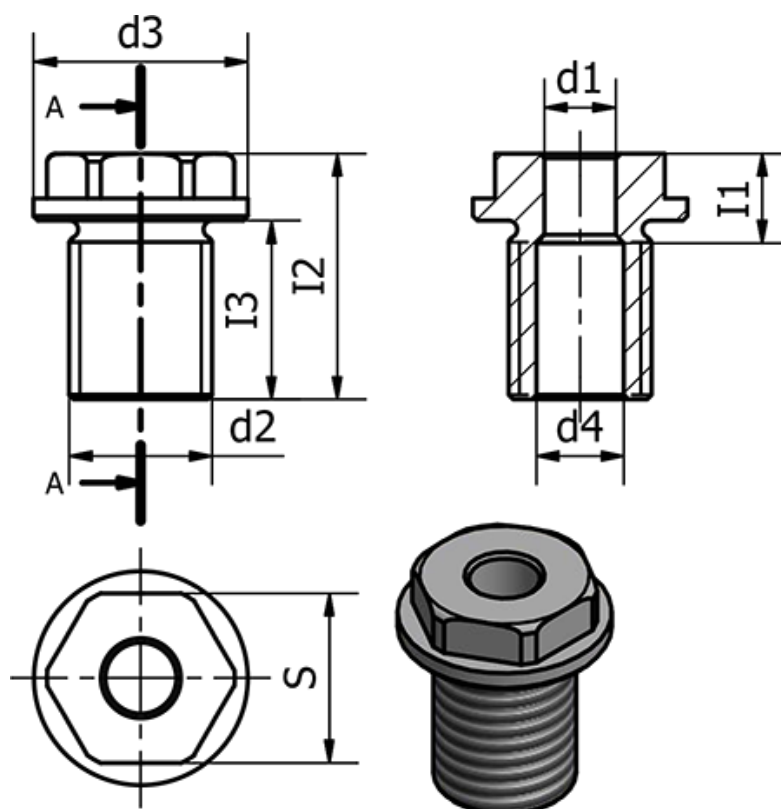


Article number: 2011321035M20A

Description: E+G Holding bushes for lifting pins,
GN 1132-10-35-M20-A

Measures



d1 = 10
d2 = M20
d3 = 28
d4 = 12.2
I1 = 35
I2 = 46
I3 = 29
s = 24

Tightening torque in Nm = 130